

## HD DV Camera

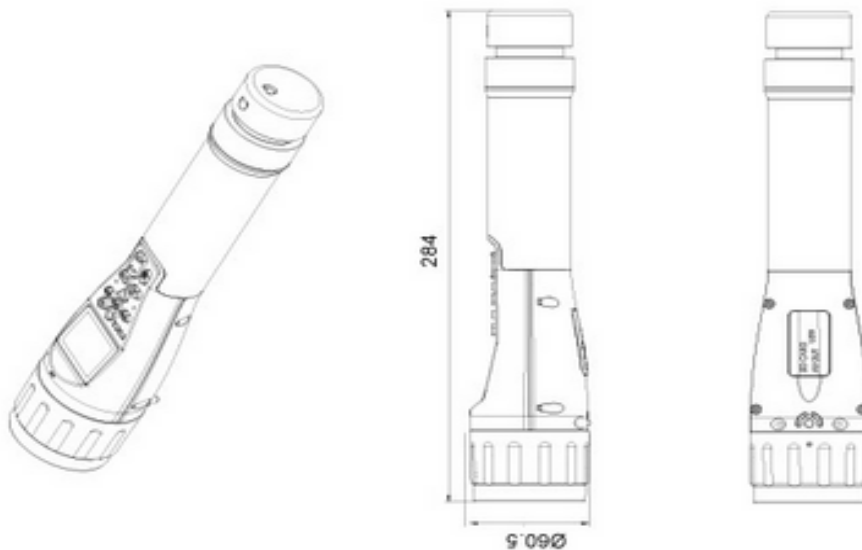


HD DV Camera Type Model: CPT-HD-DV1600

### \*[Feature](#)

- Changeable high capacity lithium polymer battery
- Brightness adjustment, LED Light 30M
- IR LED 30 M, Support audio records
- 1080p HD WDR video recording, playback
- Alarm buzzer sounds
- IP 66 weather proof
- RFID tag reader
- Micro SD

### \*[Dimension \(mm\)](#)



★ [Specification](#)    [Model : CPT-HD-DV1600](#)

Model	CPT-HD-DV1600
Image Sensor	CMOS
Effective Pixels	2034 x 1296 Pixels
Lens Type	6 mm
Compression Method	H.264
Archive Format	MOV / JPEG
Video Format	1920 x 1080 30FPS
Image Size	2034 x 1296 Pixels
Microphone	Yes
Illuminance	0 LUX
White Lighting	LED x 2
IR Lighting	IR LED x 1
Brightness	Three-section switch
AV OUT Interface	ø3.5mm Phone jack
USB Interface	Micro USB
Panel Size	1.5" LCD, Resolution : 320x240 Pixels
SD Card	Micro SD max 32 GB
Alarm	Buzzer
RFID Reader	125KHz (Optional)
Battery	3.7V 5000mAh Lithium ion Battery
Dimension	ø60.5 x 283 mm
Weatherproof	IP66
Weight	630g (with battery)

Specification is subject to change without prior notification.