

1/3" SUPER HAD II SONY CCD
Star Light, Day and Night Camera

CPT-SR6021

Reflection high power parabolic curve IR LED do 100Meter distance.
External Focal & Zoom adjustment & OSD menu by rear panel.

SPECIFICATION

Camera	CPT-SR6021
image sensor	Sony Super HAD II Color 1/3" CCD
format system	2 : 1 interlace
format frequency	NTSC : Hor 15,734Hz x Ver 59.94Hz , 60Hz Line lock PAL : Hor 15,625Hz x Ver 50Hz , 50Hz Line lock
picture elements	NTSC: 811(H) x 508(V), 525 lines 60Hz PAL: 795(H) x 596(V), 625 lines 50Hz
resolution	CVBS : 600TV Line
sensitivity	0.01 Lux at F1.2 , 0 Lux under IR illumination
s/n ratio	>65dB (AGC off, AESC off, Y sig.)
video output	1.0Vp-p, 75Ω, BNC , Y/C mode optional
auto E. shutter	AE: 1/50(60) ~ 1/100,000
picture aperture	Hor.: 2H , Ver.: 2V
dsp eeprom	16 Bit 256 word
dsp converter	10 bit (A/D) , 10bit (D/A)
visible spectrum	240nm ~ 1,200nm
white balance	AWB : 2000°K ~ 12000°K
OSD menu	YES
synchronization	Internal
IRIS level	OSD_BRIGHTNESS ADJ
power consumption	DC +12V 1.5A
temperature	operation : -15°C ~ +60°C , storage : -30°C ~ +70°C
humidity	0 to 95% relative , non-condensing.

Infra Red illuminator

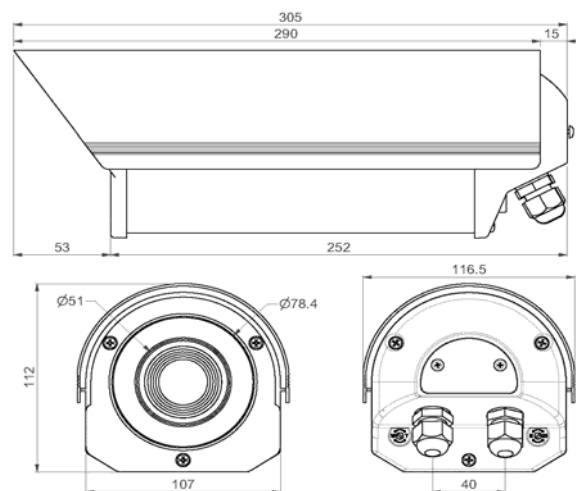
IR spectrum	850nm (840nm ~ 940nm)
IR distance	100meter
LED count	reflection cool temperature type high power LED 21pcs
Light sensor	CDS at 10±5Lux
correction filter	Correct infrared illuminator to really focus and color
LED life time	20,000 Hours
var. focal lens	9X var. focal lens,external adjust 6~50mm appr.50°~6.5°
casing structure	aluminum alloy , ivory color
power consumption	AC90V ~ AC264V , DC+12V 15W
standard size	102.5(W)×99(H)×300(L) mm , 1.5Kg
compact size	116.5(W)×112(H)×205(L) mm , 1.0Kg



bracket not include

Feature:

- * External adjustment for variable focal lens.
- * OSD menu key on rear of back panel.
- * WDR 、NDR 、Motion 、AWB 、Level..etc.
- * High resolution 600TV lines
- * Reflection parabolic curve IR LED to do 100Meter
- * ICR function , unfocus and color shift
- * Day & Night , two mode setup independentment
- * No beam , built in anti-high light coating filter
- * No noise , DSP to do 2D noise reduce
- * 9X external variable focal lens application
for wide or narrow space : 6 - 50mm
the horizontal angle : appro. 50° ~ 6.5°
the surveillance space : 30M ~ 120M



Focus and Zoom adjustment

model : CPT-SR6021



chiper technology corp.

Specification is subject to change without prior notification.