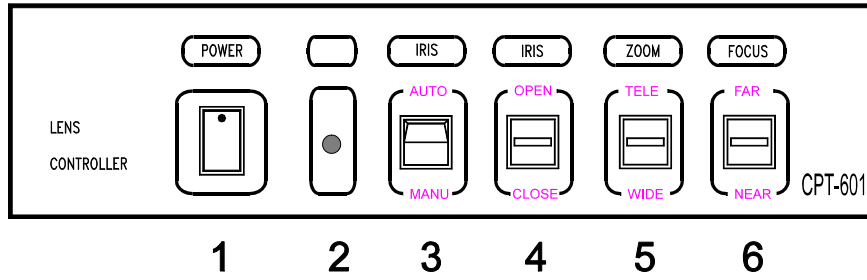


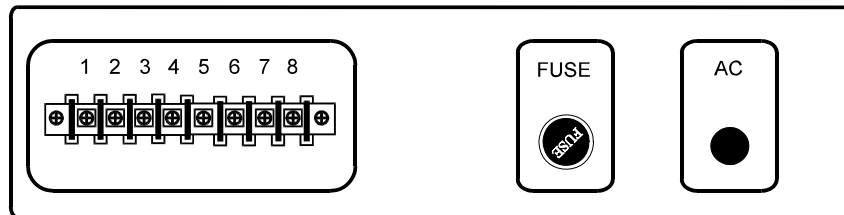
Model : CPT-601 LENS CONTROLLER



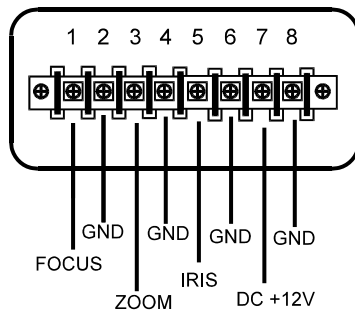
Front panel description:

1. Power Switch: On/Off
2. Power Indicator
3. Iris Switch: Auto/Manual
4. Manual Iris Switch: Open/Close
5. Zoom Lens Switch: Tele/Wide
6. Focus Switch: Far/Near

Rear Panel



Rear Panel Pin Assignment:



INPUT VOLTAGE

- 110 V
- 220V

OUTPUT VOLTAGE

- 110V
- 220V