

Explosion-Proof Stainless Housing

CPT-EXH1546

all stainless steel 304 material

Anti-UV, Corrosion-Resistant, waterproof IP-68

SPECIFICATION

EX Housing	CPT-EXH1546
weather grade	for IEC529, IEC60529 standard and IP-68 grade
rule grade	for CNS3376-0(2008), CNS3376-1(2008), IEC60079 standard
rule number	for TAIWAN(2013) NO. 00561 patent
structure grade	Ex d grade structure IIB , IIC - T6 and G6 and U6
field grade	Class 1 DIV. 1 & 2, Zone 1 & 2, Group B & C
body construction	body stainless steel 304 material
others construction	sunshield, bottom and cover stainless steel 304 material
window glass	optical tempered hardness glass
terminal grade	stainless 304, PT ½" x 3 EExe terminal
work environment	explosion-proof, corrosion-resistant, anti-salt damage
heater function	turn on at < 8°C/46.4°F, turn off at > 18°C/64.4°F
blower function	optional : turn on at > 35°C/95°F, turn off at < 25°C/77°F
body dimension	436/17.16(L) x 145/5.70(W) x 145/5.70(H)mm/inch
overall w. sun-shied	519/20.43(L) x 157/6.18(W) x 161/6.33(H)mm/inch-13.3Kg
internal dimension	380(L)/14.96 x 120/4.72(W) x 100/3.93(H)mm/inch
window dimension	Φ64 at T: 12mm
temperature	operating: -20°C/-4°F to 40°C/104°F (w/o blower and heater) operating: -40°C/-40°F to 70°C/159°F (w/ blower and heater) storage: -50°C/-58°F to 90°C/194°F (none camera)
humidity	0% to 95% , non-condensing
main power	AC100 ~ AC240V, 50Hz / 60Hz , optional : AC24V



Feature

- * for explosion-proof CNS3376-0(2008),CNS3376-1(2008)
- * for explosion-proof IEC 60079
- * for explosion-proof IEC 61241, IECEx/ILAC/IAF/MLA
- * for weather grade IEC529, IEC60529 and IP-68
- * Ex d structure grade IIB, IIC - T6 and G6 and U6
- * explosion-proof grade, Class 1 DIV. 1 and Div. 2
Zone 1 and Zone 2, Group B and Group C
- * stainless steel 304 material
- * optical tempered hardness glass for long zoom lens
- * ingress Protection, PT ½" x 3 EExe stainless 304
- * built in heater and automatic sensor control
- * application: refinery, refuel, gas station, mine, sewage treatment, thermal power, wafer, biologic, chemical, sea area, combustible, anti-salt damage, corrosion-resistant and explosion-proof environment.

model and description

model : CPT-EXH1546- fs - ac

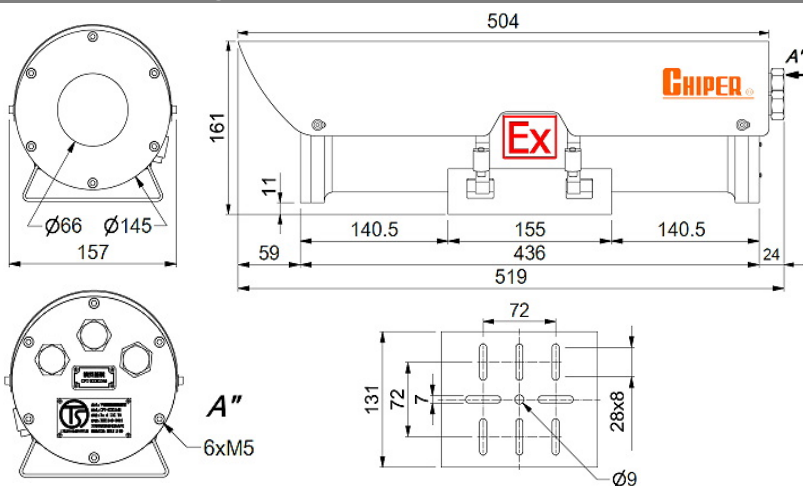
fs : omit, or choice "fs" built in thermal sensor & blower

ac : 24 = AC24V , 50Hz/60Hz

ac : 110 = AC110V , 50Hz/60Hz

ac : 220 = AC220V , 50Hz/60Hz

diagram and dimension



Explosion-proof stainless 304 housing

body dimension: 436(L) x 145(W) x 145(H)mm

overall with sun-shied: 519(L) x 157(W) x 161(H)mm

internal dimension: 380(L) x 120(W) x 100(H)mm

ingress Protection: PT ½" x 3 EExe terminal

CNS3376-0(2008), CNS3376-1(2008), IEC60079

model : CPT-EXH1546

Specification is subject to change without prior notification.