

# Nitrogen pressurize-able Housing

## CPT-HS701-20N

Nitrogen pressurize-able *indestructible*

Corrosion-resistant Stainless Steel 304 Housing

### SPECIFICATION

NPA Housing	model : CPT-HS701-20N
<b>safety grade</b>	for CE approved
<b>weather grade</b>	IEC529 standard and IP-68 grade
<b>body construction</b>	body stainless steel 304 material
<b>others construction</b>	sunshield, bottom and cover stainless steel 304 material
<b>window glass</b>	optical tempered hardness glass
<b>pressurizing</b>	recommend inertial gas : NITROGEN
<b>safety capacity</b>	safety gasket capacity 5 to 80 PSI , default 14.5 PSI
<b>safety protected</b>	auto release gas pressure when over default value
<b>capacity adjustment</b>	nitrogen gas can be adjust the housing capacity spring value
<b>cable terminal</b>	waterproof cable 16 pin connector
<b>network terminal</b>	optional , waterproof RJ 45 connector
<b>heater function</b>	standard turn on at < 8°C and turn off at > 18°C
<b>blower function</b>	optional: turn on at > 35°C and turn off at < 25°C
<b>body dimension</b>	530(L) x 247(W) x 265(H)mm
<b>overall w. sun-shied</b>	640(L) x 259(W) x 268(H)mm
<b>internal dimension</b>	500(L) x 210(W) x 190(H)mm
<b>window dimension</b>	Φ199 and T:12mm
<b>surface finishing</b>	corrosion proof material with post high temperature protection
<b>temperature</b>	operating: -30°C/-22°F to 70°C/158°F (w/ blower and heater) storage: -50°C/-58°F to 90°C/194°F (none camera)
<b>humidity</b>	0% to 90% , non-condensing
<b>main power</b>	AC100 ~ AC240V, 50Hz / 60Hz , AC24V optional



### Feature

- \* for waterproof grade IEC529 and IP-68
- \* stainless steel 304 material
- \* optical tempered hardness glass for long zoom lens
- \* nitrogen gas ingress terminal 5 to 80 PSI
- \* nitrogen gas capacity can be adjust by spring value
- \* nitrogen gas auto release when over default
- \* free offer anti-interference cable 1Meter
- \* optional network terminal RJ45 connector
- \* built in heater and automatic control
- \* application: refinery, refuel, gas station, mine, sewage treatment, thermal power, wafer, biologic, chemical, sea area, combustibile, anti-salt damage, corrosion-resistant environment.

### model and description

model : CPT-HS701-20N-wtj-ac

w : omit or wiper set request

t : omit or 1liter tank, 25liters see CPT-TK025

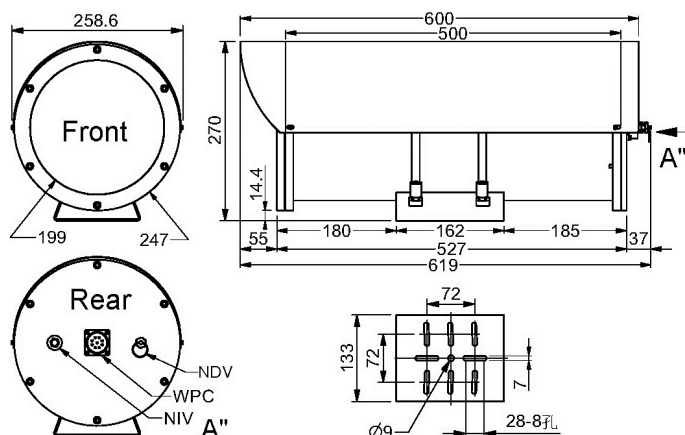
j : omit or RJ45 network connector-water proof

ac : 24 = AC24V , 50Hz/60Hz

ac : 110 = AC110V , 50Hz/60Hz

ac : 220 = AC220V , 50Hz/60Hz

### diagram and dimension



include anti interference cable

Nitrogen pressurize-able stainless steel 304 housing

body dimension: 530(L) x 247(W) x 265(H)mm

overall with sun-shied: 640(L) x 259(W) x 268(H)mm

internal dimension: 500(L) x 210(W) x 190(H)mm

model : CPT-HS701-20N

Specification is subject to change without prior notification.