

Weather Proof AIS1316L Stainless steel  
Pressurized Housing

# CPT-HS701-N316

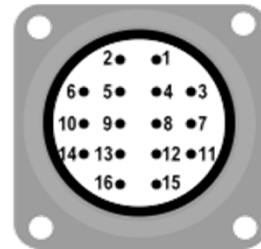
## SPECIFICATION

Environmental standard	Compliant to IEC529 Weather proof standard IP68.
Body Material	Stainless Steel AIS1316L(JIS SUS316)
Front & Back cover	Stainless Steel AIS1316L(JIS SUS316)
Mounting plate	Stainless Steel AIS1316L(JIS SUS316)
Body & Plate connection	Stainless Steel AIS1316L(JIS SUS316)
Sunshield material	Stainless Steel AIS1316L(JIS SUS316)
Surface finishing	Corrosion proof material with post high temperature pressurized protection
Window	Break resistant Tempered Glass Diameter: 115 mm, Thickness: 6 mm
Recommend pressurizing	Inert Gas: NITROGEN
Safety gasket capacity	5 to 20 PSI (Default: 14.5 PSI)
Defrostation method	Electrical Heater AC220V /110V/ 24V by Factory
Heater operation	Optional, default: ON at <8°C, OFF at >17°C
Non Circulation Blower	Optional, default: ON at <35°C, OFF at >25°C
Wiper (Optional)	Item # HSW-1, Dual mode Auto & manual
Sprayer (Optional)	Item # HSS-1, Dual mode Auto & manual
Reservoir (Optional)	Item # WT-20, 20 Litre
Application	Salty environment, Chemical plant, Poluted area, Dust proof area, etc.
Water proof Wiring	16 Pin, Electrical Tolerance 2.5A / AC220V
Water proof Wiring socket	Aluminum alloy w/ Water resistant Epoxy Resin
Internal Dimension	130(W) x 400(L) x 110(H) mm
Body dimension	160(W) x 475(L) x 171(H) mm
Overall with Sunshield	164(W) x 568(L) x 177(H) mm
Overall Weight	13.5 Kg

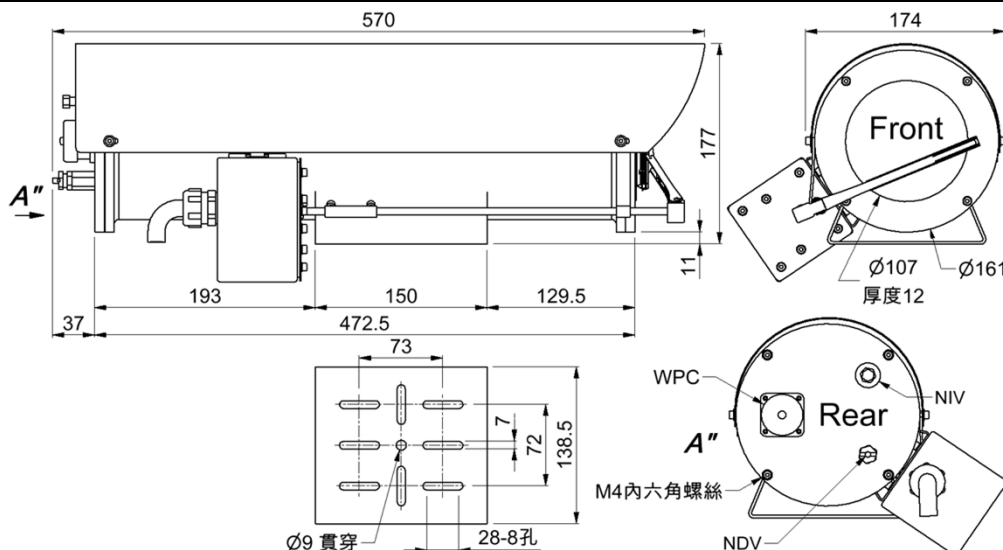


### Features & Characteristic:

- \* Environmental standards: in line with IEC-ZONE 22 and NEC-C2D2 explosion-proof standards.
- \* All stainless steel material.
- \* Weatherproof standard IP-68 protection grade.
- \* Application installation in marine , chemical , food processing plants , highly corrosive area , industrial environmen.



PIN 2: Video GND	PIN 1: Video O/P
6: Lens 4	5: Lens 3
4: Lens 2	3: Lens 1
10: Aux	9: N.C.
8: N.O.	7: Com
14: Spare	13: Spare
12: Spare	11: Spare
PIN 16: AC line	PIN 15: AC line



Specification is subject to change without prior notification.