

# Weather Proof Pan/Tilt Driver

## CPT-AP112T

weather proof IP-55 approved , Loading : 30Kgs , Max.50Kgs  
heavy duty Pan / Tilt driver for surveillance security application

### SPECIFICATION

Pan / Tilt Driver	CPT-AP112T
<b>safety approved</b>	compliant to CE
<b>environmental standard</b>	compliant to IEC529 dust proof-and water-proof IP-55 international standard
<b>rotation range</b>	horizontal pan : 0° ~355° ,vertical tilt : +90° ~ -90° (Max. ±95°)
<b>rotation angle</b>	standard mode : pan : 6° / sec. , tilt : 4° / sec. variable speed mode : pan/tilt : 0.13° /sec. ~ 13° /sec.
<b>rotation balancing</b>	lead block on both of hand side , 2Kgs counterweight
<b>rotation automatically</b>	horizontal pan on auto function
<b>preset function</b>	only for CPT-AP112TPS , on "PS" mode
<b>preset method</b>	metalized film trimmer , only for CPT-AP112TPS
<b>variable speed</b>	only for CPT-AP112TVS , on "VS" mode
<b>loading capacity</b>	CPT-AP112T : < ±40° at 50Kgs / 110Lb, when angle is ≥ ±40° at 30Kgs / 66Lb loading or lower
<b>limit switch</b>	for horizontal pan limit switch is 15A on 10 million cycle rating for vertical tilt limit switch is 15A on 10 million cycle rating
<b>limit angle</b>	horizontal pan angle limit by lock holder adjustment vertical tilt angle limit by lock holder adjustment
<b>gears driver</b>	hardened steel gear to bite driven
<b>safety protection</b>	over heated or power surge will be shut down
<b>safety recovery</b>	built in electronic recovery breaker , power reset again
<b>seal structure</b>	rubber ring and gasket seals , for all weather environment protection
<b>anti-corrosion</b>	for " E " type , with chromium surface finishing for high corrosive or and acid environment
<b>driver cable</b>	UL cable , standard mode : 6pin , preset mode : 9pin
<b>casing structure</b>	aluminum alloy and stainless steel structure, ivory finished
<b>power consumption</b>	AC24V / AC110V / AC220V, 50Hz / 60Hz , 10W + 6W
<b>ambient temperature</b>	operation : -26°C / -15°F ~ +65°C / +149°F storage : -40°C / -40°F ~ +80°C / +176°F
<b>heater optional</b>	turn on : 7°C / 44.5°F , turn off : 17°C / 62.6°F
<b>humidity</b>	0 to 95% relative , non-condensing.
<b>mount plate dimension</b>	bottom plate : 134mm x 134mm bottom screw hole : 114mm x 114mm - 4 x Ø9
<b>body dimension</b>	247(W) × 275(H) × 155.5(L)mm , 10Kgs



### Feature

- \* weather proof standard IP-55 approved.
- \* horizontal pan rotation angle : 0° ~ 355°.
- \* vertical tilt rotation angle: +90° ~ -90°. ±95° max.
- \* hardened steel gear for longest durability.
- \* available with optional preset function.
- \* available with optional chromium protection.
- \* available with optional heater on cold environment.

### model and description

model : CPT-AP112T ps(vs)-he

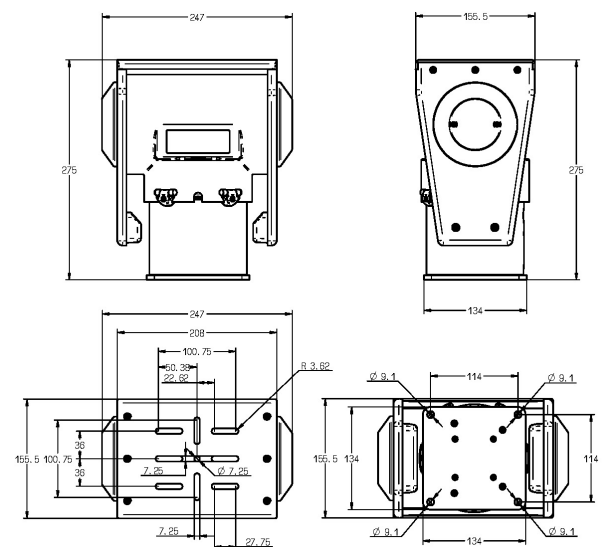
ps : PS for preset function , empty is standard

vs : VS for variable speed , empty is standard

h : H with "heater" , empty is standard

e : E with "chromium" , empty is standard

### diagram and dimension



Heavy duty Pan/Tilt driver model : CPT-AP112T

Specification is subject to change without prior notification.