

Weather Proof Pan/Tilt Driver  
PreSet mode : addition Preset Receiver

# CPT-PT30

weather proof IP-67 approved , Loading : 23Kgs , Max.40Kgs  
heavy duty Pan / Tilt driver for surveillance security application

## SPECIFICATION

Pan / Tilt Driver	CPT-PT30
<b>safety approved</b>	compliant to CE
<b>environmental standard</b>	compliant to IEC529 dust proof-and water-proof IP-67 international standard
<b>rotation range</b>	horizontal pan : 0° ~365° vertical tilt : +20° ~ -90°
<b>rotation angle</b>	horizontal pan : 6° / sec. , vertical tilt : 6° / sec.
<b>rotation balancing</b>	lead spring block to counterweight
<b>rotation automatically</b>	horizontal pan on auto function
<b>preset function</b>	only for CPT-PT30PS , on "PS" mode
<b>preset method</b>	only for CPT-PT30PS , metalized film trimmer
<b>loading capacity</b>	CPT-30 : 40Kgs / 88Lb, ≥ -40° at 23Kgs/51lb loading or lower CPT-30PS : 40Kgs / 88Lb, ≥ -40° is 23Kgs loading or lower
<b>loading anti-slip mat</b>	for fix holder camera and housing
<b>limit switch</b>	for horizontal pan limit switch is 15A on 10 million cycle rating for vertical tilt limit switch is 15A on 10 million cycle rating
<b>limit angle</b>	horizontal pan angle limit by lock holder adjustment vertical tilt angle limit by lock holder adjustment
<b>gears driver</b>	hardened steel gear to bite driven
<b>safety protection</b>	over heated or power surge will be shut down
<b>safety recovery</b>	built in electronic recovery breaker , power reset again
<b>seal structure</b>	rubber ring and gasket seals , for all weather environment protection
<b>anti-corrosion</b>	for " E " type, with chromium surface finishing for high corrosive or and acid environment
<b>driver cable</b>	UL cable , standard mode : 6pin , preset mode : 9pin
<b>casing structure</b>	aluminum alloy and stainless steel structure, ivory finished
<b>power consumption</b>	AC24V / AC110V / AC220V, 50Hz / 60Hz , 10W x 2
<b>ambient temperature</b>	operation : -26°C / -15°F ~ +65°C / +149°F storage : -40°C / -40°F ~ +80°C / +176°F
<b>heater optional</b>	turn on : 7°C / 44.5°F , turn off : 17°C / 62.6°F
<b>humidity</b>	0 to 95% relative , non-condensing.
<b>mount plate dimension</b>	bottom plate : 85mm x 85mm bottom screw hole : 72mm x 72mm - 4 x Ø8.6
<b>body dimension</b>	249(W) × 236(H) × 155(D)mm , 6.5Kgs



### Feature

- \* weather proof standard IP-67 approved.
- \* horizontal pan rotation angle : 0° ~ 365°.
- \* vertical tilt rotation angle: +20° ~ -90°.
- \* available with optional preset function.
- \* available with optional chromium protection.
- \* available with optional heater on cold environment.
- \* hardened steel gear for longest durability.

### Model and description

model : CPT-PT30 ps-he

ps : PS for preset function , empty is standard

h : H with "heater" , empty is standard

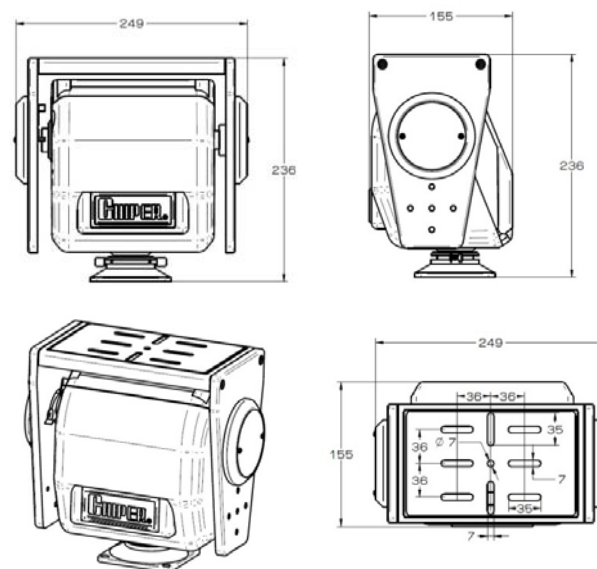
e : E with "chromium" , empty is standard

CPT-PT35A pan 10°/sec tilt 6°/sec

CPT-PT35B pan 20°/sec tilt 10°/sec

CPT-PT35C pan 30°/sec tilt 10°/sec

### Diagram and dimension



Heavy duty Pan/Tilt driver model : CPT-PT30

Specification is subject to change without prior notification.