

Weather Proof Pan/Tilt Driver
PreSet mode : addition Preset Receiver

CPT-PT35

weather proof IP-67 approved , Loading : 20Kgs , Max.40Kgs
heavy duty Pan / Tilt driver for surveillance security application

SPECIFICATION

| Pan / Tilt Driver | CPT-PT35 |
|-------------------------------|--|
| safety approved | compliant to CE |
| environmental standard | compliant to IEC529 dust proof-and water-proof IP-67 international standard |
| rotation range | horizontal pan : 0° ~355° vertical tilt : +75° ~ -75° vertical tilt : +90° ~ -90° for "T" type , optional |
| rotation angle | horizontal pan : 6° / sec. , vertical tilt : 6° / sec. |
| rotation automatically | horizontal pan on auto function |
| preset function | only for CPT-PT35PS , on "PS" mode |
| preset method | only for CPT-PT35PS , metalized film trimmer |
| loading capacity | CPT-35 : 40Kgs / 88Lb, $\geq \pm 40^\circ$ is 20Kgs/44lb loading or lower CPT-35PS : 40Kgs / 88Lb, $\geq \pm 40^\circ$ is 20Kgs loading or lower CPT-35xxT : 40Kgs / 88Lb, $\geq \pm 40^\circ$ is 20Kgs loading or lower |
| limit switch | for horizontal pan limit switch is 15A on 10 million cycle rating for vertical tilt limit switch is 15A on 10 million cycle rating |
| limit angle | horizontal pan angle limit by lock holder adjustment vertical tilt angle limit by lock holder adjustment |
| gears driver | hardened steel gear to bite driven |
| safety protection | over heated or power surge will be shut down |
| safety recovery | built in electronic recovery breaker , power reset again |
| seal structure | rubber ring and gasket seals , for all weather environment protection |
| anti-corrosion | for " E " type , with chromium surface finishing for high corrosive or and acid environment |
| driver cable | UL cable , standard mode : 6pin , preset mode : 9pin |
| casing structure | aluminum alloy and stainless steel structure, ivory finished |
| power consumption | AC24V / AC110V / AC220V, 50Hz / 60Hz , 10W x 2 |
| ambient temperature | operation : -26°C / -15°F ~ +65°C / +149°F storage : -40°C / -104°F ~ +80°C / +176°F |
| heater optional | turn on : 7°C / 44.5°F , turn off : 17°C / 62.6°F |
| humidity | 0 to 95% relative , non-condensing. |
| mount plate dimension | bottom plate : 85mm x 85mm bottom screw hole : 72mm x 72mm - 4 x $\varnothing 8.6$ |
| body dimension | 380(W) x 220(H) x 155(L)mm , 6.5Kgs |



Feature

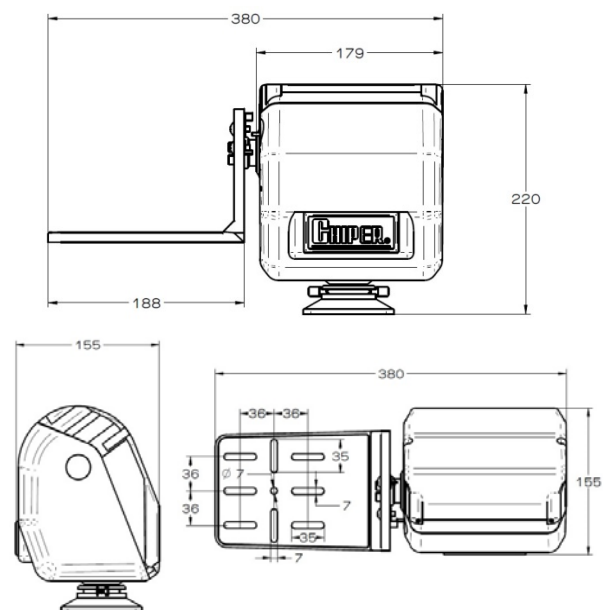
- * weather proof standard IP-67 approved.
- * horizontal pan rotation angle : 0° ~ 355°.
- * vertical tilt rotation angle: +75° ~ -75°.
- * vertical tilt rotation angle: +90° ~ -90° for "T" type.
- * available with optional preset function.
- * available with optional chromium protection.
- * available with optional heater on cold environment.
- * hardened steel gear for longest durability.

model and description

model : CPT-PT35 pst-he

ps : PS for preset function , empty is standard
t : T with "±90°" tilt angle , empty is standard
h : H with "heater" , empty is standard
e : E with "chromium" , empty is standard

diagram and dimension



Heavy duty Pan/Tilt driver model : CPT-PT35

Specification is subject to change without prior notification.