

Weather Proof Pan/Tilt Driver
PreSet mode : addition Preset Receiver

CPT-PT35

weather proof IP-67 approved , Loading : 20Kgs , Max.40Kgs
heavy duty Pan / Tilt driver for surveillance security application

SPECIFICATION

Pan / Tilt Driver	CPT-PT35
safety approved	compliant to CE
environmental standard	compliant to IEC529 dust proof-and water-proof IP-67 international standard
rotation range	horizontal pan : 0° ~365° vertical tilt : +75° ~ -75° vertical tilt : +90° ~ -90° for "T" type , optional
rotation angle	horizontal pan : 6° / sec. , vertical tilt : 6° / sec.
rotation automatically	horizontal pan on auto function
preset function	only for CPT-PT35PS , on "PS" mode
preset method	only for CPT-PT35PS , metalized film trimmer
loading capacity	CPT-35 : 40Kgs / 88Lb, ≥ ±40° is 20Kgs/44lb loading or lower CPT-35PS : 40Kgs / 88Lb, ≥ ±40° is 20Kgs loading or lower CPT-35xxT : 40Kgs / 88Lb, ≥ ±40° is 20Kgs loading or lower
limit switch	for horizontal pan limit switch is 15A on 10 million cycle rating for vertical tilt limit switch is 15A on 10 million cycle rating
limit angle	horizontal pan angle limit by lock holder adjustment vertical tilt angle limit by lock holder adjustment
gears driver	hardened steel gear to bite driven
safety protection	over heated or power surge will be shut down
safety recovery	built in electronic recovery breaker , power reset again
seal structure	rubber ring and gasket seals , for all weather environment protection
anti-corrosion	for " E " type , with chromium surface finishing for high corrosive or and acid environment
driver cable	UL cable , standard mode : 6pin , preset mode : 9pin
casing structure	aluminum alloy and stainless steel structure, ivory finished
power consumption	AC24V / AC110V / AC220V, 50Hz / 60Hz , 10W x 2
ambient temperature	operation : -26°C / -15°F ~ +65°C / +149°F storage : -40°C / -104°F ~ +80°C / +176°F
heater optional	turn on : 7°C / 44.5°F , turn off : 17°C / 62.6°F
humidity	0 to 95% relative , non-condensing.
mount plate dimension	bottom plate : 85mm x 85mm bottom screw hole : 72mm x 72mm - 4 x Ø8.6
body dimension	380(W) × 220(H) × 155(D)mm , 6.5Kgs



Feature

- * weather proof standard IP-67 approved.
- * horizontal pan rotation angle : 0° ~ 365°.
- * vertical tilt rotation angle: +75° ~ -75°.
- * vertical tilt rotation angle: +90° ~ -90° for "T" type.
- * available with optional preset function.
- * available with optional chromium protection.
- * available with optional heater on cold environment.
- * hardened steel gear for longest durability.

model and description

model : CPT-PT35 pst-he

ps : PS for preset function , empty is standard

t : T with "±90°" tilt angle , empty is standard

h : H with "heater" , empty is standard

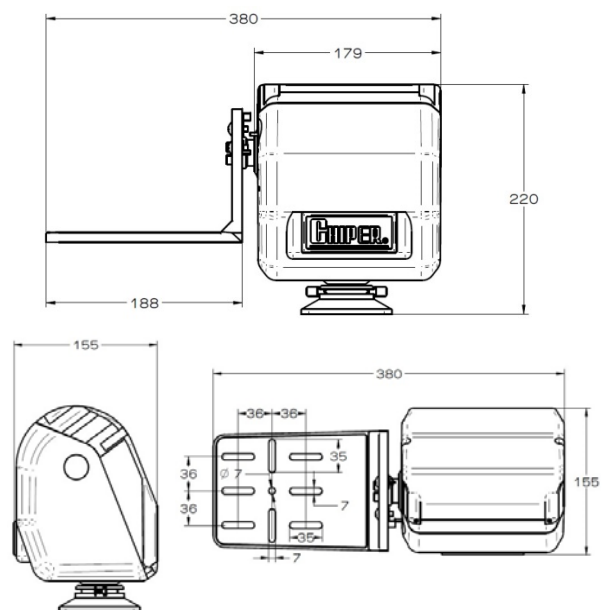
e : E with "chromium" , empty is standard

CPT-PT35A pan 10°/sec tilt 6°/sec

CPT-PT35B pan 20°/sec tilt 10°/sec

CPT-PT35C pan 30°/sec tilt 10°/sec

diagram and dimension



Heavy duty Pan/Tilt driver model : CPT-PT35

Specification is subject to change without prior notification.