


1/2.8" Sony Exmor Progress Sensor
 HD-TVI Full HD 1080p smart IR Dome camera

CPT-TVI-CD330F

Smart IR LED 20M and 3.6mm (75.7°) . ICR day & night filter.
 Hi-Definition quality picture 1080P high speed transfer.
 True RGB original color & OSD function menu setup.

SPECIFICATION

| | |
|------------------------|---|
| HD-TVI cam | model : CPT-TVI-CD330F |
| Image sensor | Sony 1/2.8" Exmor SONY Progress Sensor |
| Sensor total pixels | 2010(H) x 1108(V) , 2.2 Mega pixels |
| Sensor active pixels | 1944(H) x 1092(V) , 2.1 Mega pixels |
| HD Resolution | Full HD: 1920x1080, 1080p@30fps, CVBS:1028 x 508 |
| Sensitivity standard | BW:0.001 Lux, Color: 0.01Lux, AGC on, IR on: 0 Lux |
| Sensitivity sense-up | Sense up 2X ~ 30X (FLD) accumulation 0.0003Lux |
| Shutter of electronic | 1/25(30), 1/50(60), FLK (1/100), 1/240, 1/480, 1/1000 1/2000, 1/5000, 1/10000, 1/50000 second |
| Shutter of low light | accumulation X2, X4, X6, X8, X10, X15, X20, X25, X30(FLD) |
| S/N ratio | ≧ 58dB (AGC off, AESC off, 2DNR on, 3DNR on) |
| OSD menu | Lens mode, shutter, white balance, gain, sense-up , |
| (setup cable optional) | ID, Day & Night, WDR, Back-Light, Brightness, Gamma Flip, NDR 2D-3D, DIS, Motion, Privacy, RS485,... etc. |
| Day and Night mode | Auto / Day / Night / High / Middle / Low / Off / Manual |
| Day and Night switch | ICR dual spectrum filter for day and night environment Auto (delay, D-N AGC)/ Color/ BW(Burst, IR smart, LED, PWM) |
| White Balance range | CRI color temperature 1700°K~10000°K, 240 ~ 1200nm |
| White Balance mode | ATW/ AWB-SET/ Indoor/ Outdoor/ Manual R-B level |
| Wide Dynamic Range | Dual ACCE, Dual-WDR : High/ Middle/ Low/ Off |
| Backlight contrast | BLC level: Auto / Manual / AGC up ~ AGC down / Off |
| High light cover | 4 zone, Position, Day, Night, Mask, ON/Off |
| Gamma correction | Auto, User1~2, 0.45, 0.5, 0.55, 0.6, 0.65, 0.7, 0.75, 0.9, 0.95, 1.0 |
| Defog processor | Defog function: position/ size/ gradation/ default |
| Special processor | Tile, Freeze, Mirror, Neg. Image, Motion, Privacy, Defect |
| Noise processor | Smart NR / DNR, 2D , 3D : off/ on / level / AGC |
| Optical focal lens | Megapixel optical lens 3.6mm (75.7°) /F1.8 |
| LED IR source | Φ5x28pcs, IR 850nm, MTBF 10,000 hours |
| LED IR capacity | 0.2~20M Smart IR control level processor |
| Environment | operation: -10°C/14°F~+55°C/131°F, storage: -20°C ~ +70°C |
| Humidity | 0 to 95% relative, non-condensing |
| Casing structure | die-casting aluminum alloy , black-gray coated |
| Coaxial distance | RG59U: 300Meter, RG6U: 500Meter |
| Power consumption | DC12V , 385mA(Max.) , 4.6W |
| Dimension | Ø94(D) x 69(H) |
| Safety grade | IP66 grade  |

Full HD
1080



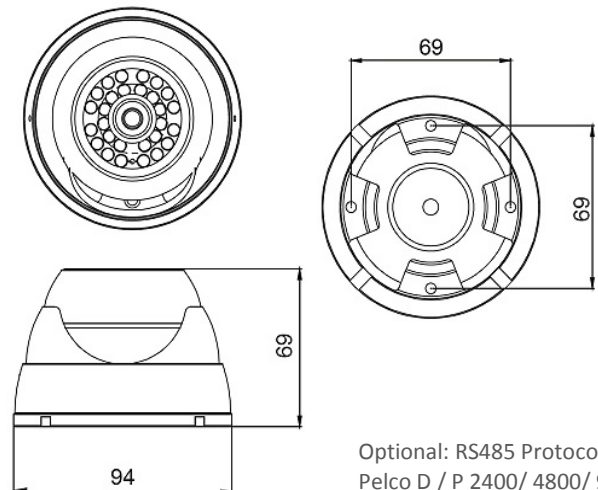
model: CPT-TVI-CD330F

Exmor SONY Exmor High Sensitivity Imager

Feature : HD-TVI ICR smart IR camera

- * High sensitivity 1/2.8" Exmor SONY progress image sensor
- * Megapixel optical lens 3.6mm (75.7°) /F1.8
- * Split optical lens, avoid IR reflection against.
- * High B shutter technology, accumulation 2X ~ 30X FLD, 0.0003Lux
- * High definition Full HD 1920x1080, 1080Px30fps
- * LED IR illuminator, covering 0.2M~20M range
- * LED smart IR and filter coating to auto adjusting lighting level
- * Dual mode ICR filter, day time true color, night time fine picture
- * Image signal processor to do 2D/3D noise extinction
- * OSD setup cable and RS485 telemetry control are optional.
- * OSD menu, Lens (indoor, outdoor), Shutter, Sense-up, AGC, D-WDR, BLC, HLC, White balance (auto, lock, indoor, outdoor, man), Day & Night(auto, color, black), Noise(2D, 3D, level, smart NR), ID, Freeze, Mirror, Negative, Motion (1~3), Brightness Sharpness, Monitor, Gamma(15 sector), NTSC-PAL
- * IP-66 weather proof grade.

diagram and dimension



Optional: RS485 Protocol:
 Pelco D / P 2400/ 4800/ 9600
 model : CPT-TVI-CD330F

Specification is subject to change without prior notification.