


1/2.8" Sony Exmor Progress Sensor  
 HD-TVI Full HD 1080p smart IR Resistance camera

# CPT-TVI-CR350V-3X

Smart IR LED 60M and 3X var. focal. ICR day & night filter.  
 Hi-Definition quality picture 1080P high speed transfer.  
 True RGB original color & OSD function menu setup.

## SPECIFICATION

HD-TVI cam	model : CPT-TVI-CR350V-3X
Image sensor	Sony 1/2.8" Exmor SONY Progress Sensor
Sensor total pixels	2010(H) x 1108(V) , 2.2 Mega pixels
Sensor active pixels	1944(H) x 1092(V) , 2.1 Mega pixels
HD Resolution	Full HD: 1920x1080, 1080p@30fps, CVBS:1028 x 508
Sensitivity standard	BW:0.001 Lux, Color: 0.01Lux, AGC on, IR on: 0 Lux
Sensitivity sense-up	Sense up 2X ~ 30X (FLD) accumulation 0.0003Lux
Shutter of electronic	1/25(30), 1/50(60), FLK (1/100), 1/240, 1/480, 1/1000 1/2000, 1/5000, 1/10000, 1/50000 second
Shutter of low light	accumulation X2, X4, X6, X8, X10, X15, X20, X25, X30(FLD)
S/N ratio	≧ 58dB (AGC off, AESC off, 2DNR on, 3DNR on)
OSD menu	Lens mode, shutter, white balance, gain, sense-up ,
(setup cable optional)	ID, Day & Night, WDR, Back-Light, Brightness, Gamma Flip, NDR 2D-3D, DIS, Motion, Privacy, RS485,... etc.
Day and Night mode	Auto / Day / Night / High / Middle / Low / Off / Manual
Day and Night switch	ICR dual spectrum filter for day and night environment Auto (delay, D-N AGC)/ Color/ BW(Burst, IR smart, LED, PWM)
White Balance range	CRI color temperature 1700°K~10000°K, 240 ~ 1200nm
White Balance mode	ATW/ AWB-SET/ Indoor/ Outdoor/ Manual R-B level
Wide Dynamic Range	Dual ACCE, Dual-WDR : High/ Middle/ Low/ Off
Backlight contrast	BLC level: Auto / Manual / AGC up ~ AGC down / Off
High light cover	4 zone, Position, Day, Night, Mask, ON/Off
Gamma correction	Auto, User1 ~2, 0.45, 0.5, 0.55, 0.6, 0.65, 0.7, 0.75, 0.9, 0.95, 1.0
Defog processor	Defog function: position/ size/ gradation/ default
Special processor	Tile, Freeze, Mirror, Neg. Image, Motion, Privacy, Defect
Noise processor	Smart NR / DNR, 2D , 3D : off/ on / level / AGC
Optical focal lens	3X var. zoom lens 7mm (45°) ~ 22mm (15°)/F2.0, auto IRIS
LED IR source	IR 850nm
LED IR capacity	0.5~60M Smart IR control level processor
Environment	operation: -10°C/14°F~+55°C/131°F, storage: -20°C ~ +70°C
Humidity	0 to 95% relative, non-condensing
Casing structure	die-casting aluminum alloy , black-gray coated
Coaxial distance	RG59U: 300Meter, RG6U: 500Meter
Power consumption	DC12V , 560mA(Max.) , 6.5W
Dimension	Ø78.5(D) x 120.2(H) x 265.2(L)mm
Safety grade	IP66 grade 



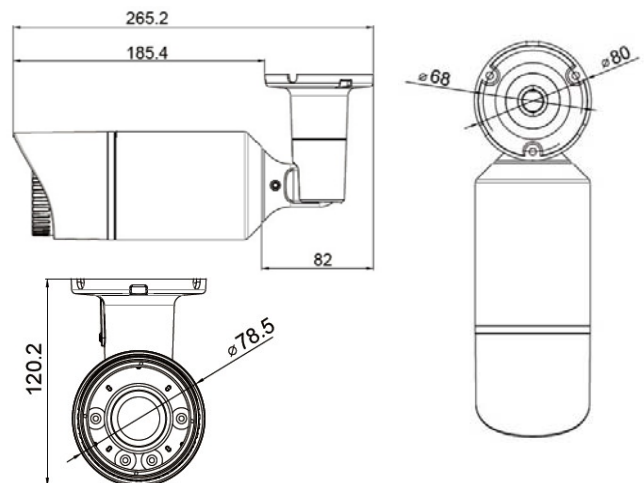
model: CPT-TVI-CR350V-3X

**Exmor** SONY Exmor High Sensitivity Imager

Feature : HD-TVI 3X ICR smart IR resistance camera

- \* High sensitivity 1/2.8" Exmor SONY progress image sensor
- \* 3X, megapixel auto IRIS lens 7mm (45°) ~ 22mm (15°) /F2.0
- \* Split optical lens, avoid IR reflection against.
- \* High B shutter technology, accumulation 2X ~ 30X FLD, 0.0003Lux
- \* High definition Full HD 1920x1080, 1080Px30fps
- \* LED IR illuminator, covering 0.5M~60M range
- \* LED smart IR and filter coating to auto adjusting lighting level
- \* Dual mode ICR filter, day time true color, night time fine picture
- \* Image signal processor to do 2D/3D noise extinction
- \* OSD setup cable and RS485 telemetry control are optional.
- \* OSD menu, Lens (indoor, outdoor), Shutter, Sense-up, AGC, D-WDR, BLC, HLC, White balance (auto, lock, indoor, outdoor, man), Day & Night(auto, color, black), Noise(2D, 3D, level, smart NR), ID, Freeze, Mirror, Negative, Motion (1~3), Brightness Sharpness, Monitor, Gamma(15 sector), NTSC-PAL
- \* IP-66 weather proof grade.

## diagram and dimension



Optional: RS485 Protocol: Pelco D/ Pelco, P 2400/ 4800/ 9600

model : CPT-TVI-CR350V-3X

Specification is subject to change without prior notification.